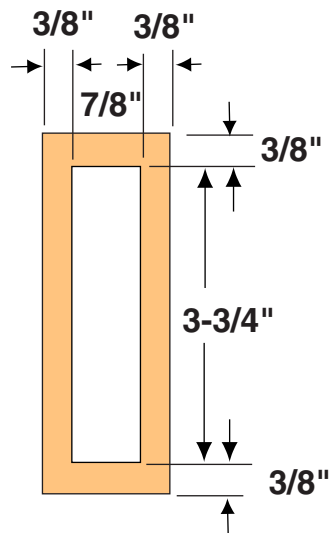


**FIGURE 3
SIDE RAIL TENONS**



**SAME ON SIDE RAILS (C)
AND HEAD AND FOOT RAILS (B)**