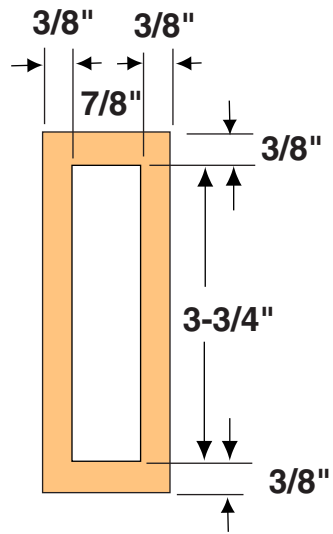


**FIGURE 2
HEAD & FOOT
RAIL TENONS**



**SAME ON SIDE RAILS (C)
AND HEAD AND FOOT RAILS (B)**